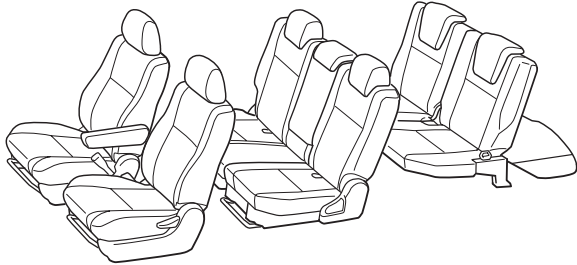


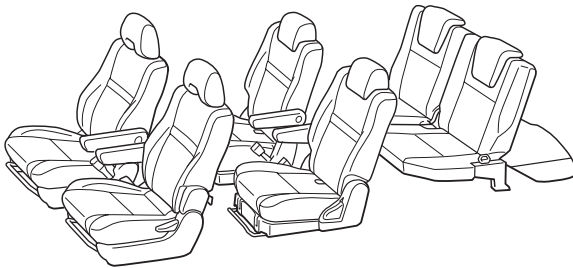
Adjustment of seat

Index

Seven person getting on car



Six person getting on car



Adjustment of correct driving posture next page

reference reception desk seat

Method of method P.157 headrest
adjustment of seat adjustment P.159

Adjustment of Secandoshet

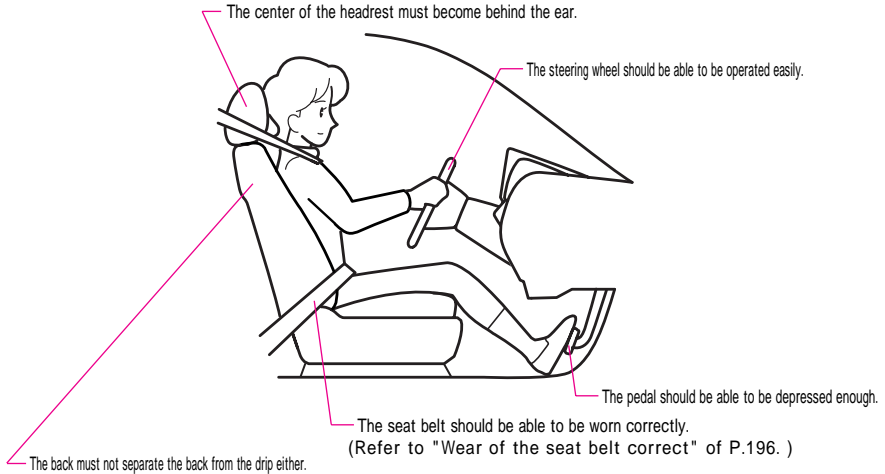
Getting on going down of method
P.161 headrest of seat adjustment to raising and lowering
c. P.163 third seat P.164

Adjustment of third seat

Raising and lowering of method P.168
headrest of reclining adjustment P.169

Correct driving posture

Adjust the seat noting the following matter to take correct driving posture.



Do not adjust the driver's seat while running.

- Do not adjust the driver's seat while running. Driving is mistaken by the seat's suddenly moving while adjusting it, it might cause an unexpected accident, and it is dangerous. -
- Shake the seat before ..lightening..., and confirm fixation surely after adjusting the seat. Important injury that moves if not fixed the seat, causes an unexpected accident, and is related to the life might be received and it is dangerous. -
- Do not put the one under the reception desk seat (Exclude it in a passenger's seat seat under tray). The one narrows, the seat is not fixed, it might cause an unexpected accident, and it is dangerous. Moreover, it causes the breakdown of the lock mechanism. -
- Do not put the cushion (square cushion) of the back etc. between the drip and the back. Important injury that is not demonstrated the effect of the seat belt and the headrest enough when cannot not only take correct driving posture but also colliding and is related to the life might be received and it is dangerous. -
- Do not pile luggage to the passenger's seat and the rear seat. It dashes out when time that slammed on the brakes and the car are turning luggage, might cause an unexpected accident by the nature's hitting the crew, damaging luggage, and being taken in luggage, and is dangerous. -
- Do not move while running ..get on to places other than the seat and in the car... It flies the body by inertia force when time that slammed on the brakes and colliding, and the head etc. are strongly stricken, the important injury related to the life might be received, and it is dangerous.





In the SRS side air bag installation car, guard the following.

- In the SRS side air bag installation car, guard the following. The SRS air bag might not operate normally, and it swells by mistake, it reaches important injury or, in the worst case, it lead to the death if it doesn't defend.

蘆Do not install the one other than a Toyota pure articles (seat cover etc.) only for this car in the reception desk seat. If the SRS side air bag development department is covered with the one other than a Toyota pure articles only for this car, it becomes an obstruction of normal operation of the SRS side air bag. Often read the manual of the attachment, and install it in the commodity correctly when you install the Toyota pure seat cover etc.

蘆Consult the Toyota shop when the installation, detaching, and the repair of repapering and the reception desk seat of the reception desk seat epidermal are necessary. Moreover, do not remodel the reception desk seat.

蘆Do not overpower as the SRS air bag development department like the reception desk seat side etc. is strongly beaten.



Note the situation of the circumference such as those who multiply this and luggage when you adjust the seat.

- Do not apply it to those who multiply this and luggage when you adjust the seat. Those who multiply this might injure, and destroy luggage. -

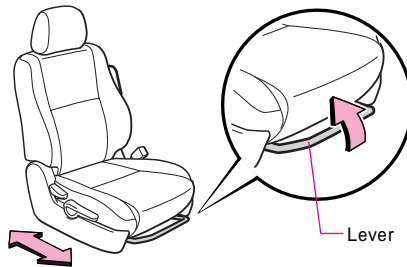
Do not bring the hand close near the seat under and the moving part when you adjust the seat. The finger and the hand are placed, and it is likely to injure. -

Note that it is likely to injure at the seat rail seat frame (foundation part in the seat) etc. in the place where time when the room is cleaned and what dropped under the seat is picked up when the hand is put under the seat enough.

Adjustment of reception desk seat

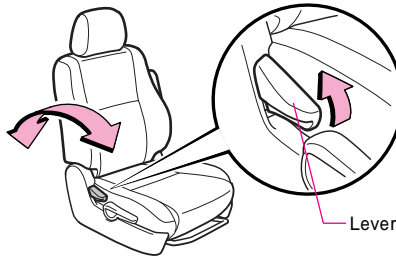
Method of seat adjustment

- The back and forth positioning



Move the seat back and forth while pulled a lever and adjust it.

- Reclining adjustment



The back also must move the drip back and forth while pulled a lever and adjust it.

Contents



Warning

Basic
controls, operationDriving
Handling
deviceThe
Handling indoor
equipmentgood. Safety
of
To
theory, controls
and
equipmentHow
to
attention
associate, driving,
car

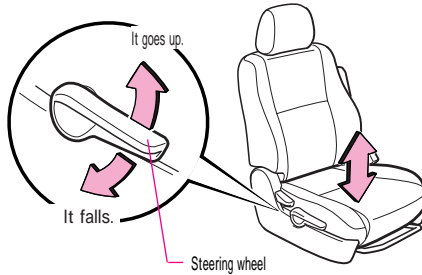
Maintenance

Myriad
One(D)C
with

Index

- Top and bottom of the entire seat cushion adjustment

Driver's seat



Whenever the lever is moved under on, the height of the entire seat cushion is adjusted.



Do not position it while about running.

It moves suddenly greatly when slamming on the brakes the seat, is thrown out, and might receive important injury that causes an unexpected accident and is related to the life and is dangerous.



The back also must operate the hand in the drip when the back also returns the drip and operate the reclining lever along can.

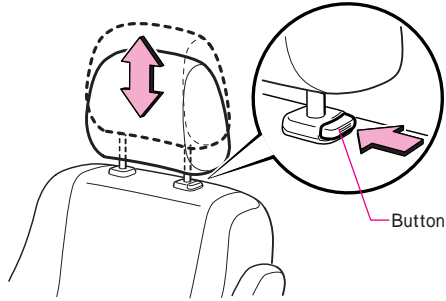
- The back also must operate the hand in the drip when the back also returns the drip and operate the reclining lever along can.

When the back doesn't suppress the drip and either the lever is operated, the back returns suddenly the drip, and might be injured, too. -

When you move the seat, put neither hand nor the foot under the seat. It is placed between the seat and it is likely to injure.



Method of headrest adjustment



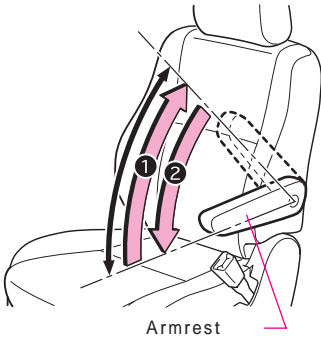
- Improve it as it is when you raise it. -
- Depress the button when you lower while pushed. -
- Pull it out when detaching it with the button pushed.



Do not run with the headrest removed. A big impact joins the neck when colliding, the important injury related to the life might be received, and it is dangerous. Adjust height so that the center of the headrest may become behind the ear.

How to use of the armrest.

- Angle adjustment type *

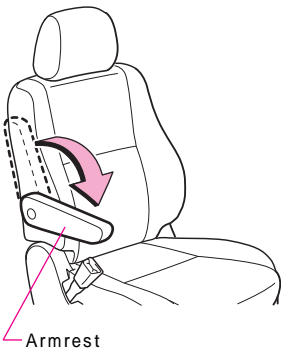


- 1 Armrest..once..extremely..lift.
After that ..
Extremely..lower. (筈).
(Lower as it is when there are already
about 45. or more armrest
from the under up.)



- 2 When the armrest is raised to the position
of the favorite up between from the under
to about 45. , it is fixed at the position.
- When the armrest is fixed, it is not
possible to lower below from the position
directly. -
When you lower below 1 It lowers to the under
according to ..drinking.. procedure.

- - except angle adjustment type



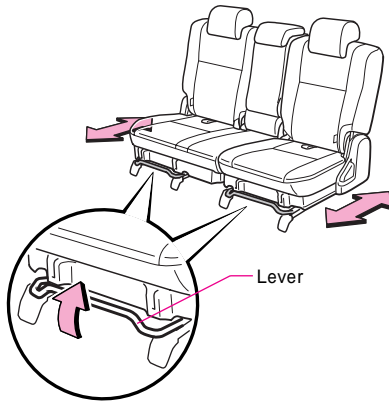
Knock down to the under and use the
armrest.

Adjustment of Secandoshet

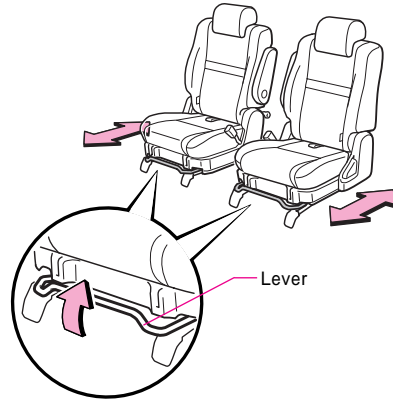
Method of seat adjustment

- The back and forth positioning

Seven person getting on car



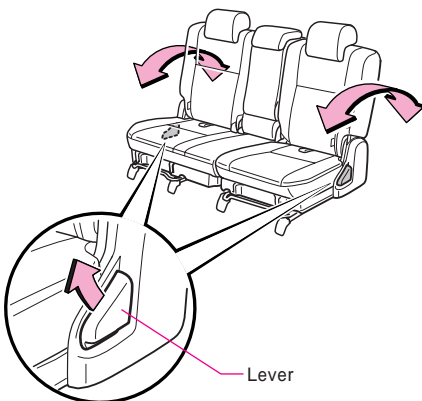
Six person getting on car



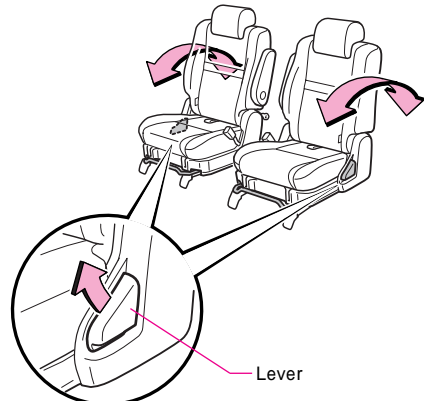
Move the seat back and forth while pulled a lever and adjust it.

- Reclining adjustment

Seven person getting on car



Six person getting on car



The back also must move the drip back and forth while pulled a lever and adjust it.

Contents



Warning

Basic
controls, operation

Driving
Handling
device

The
Handling indoor
equipment

Good. Safety
of
To
theory (driver's
and
equipment

How
to
attention
associate driving,
car

Maintenance

Myriad
One(D

with

Index



Do not position it while about running.

It moves suddenly greatly when slamming on the brakes the seat, is thrown out, and might receive important injury that causes an unexpected accident and is related to the life and is dangerous.



The back also must operate the hand in the drip when the back also returns the drip and operate the reclining lever along can.

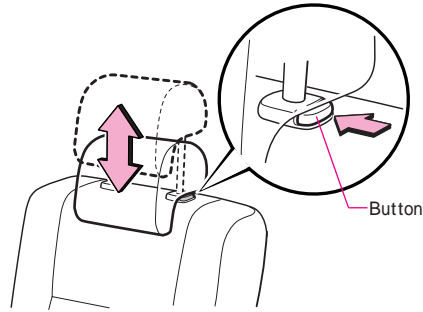
- The back also must operate the hand in the drip when the back also returns the drip and operate the reclining lever along can.

When the back doesn't suppress the drip and either the lever is operated, the back returns suddenly the drip, and might be injured, too. -

When you move the seat, put neither hand nor the foot under the seat. It is placed between the seat and it is likely to injure.



● Raising and lowering of headrest



- Improve it as it is when you raise it. -
- Depress the button when you lower while pushed. -
- Pull it out when detaching it with the button pushed.



Do not run like the state to lower the headrest while removed. A big impact joins the neck when colliding, the important injury related to the life might be received, and it is dangerous. Use the headrest while raised without fail.

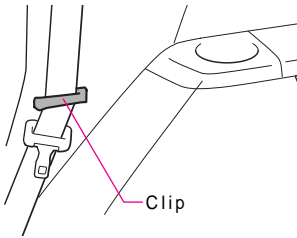


The headrest is only for Secandoshet. Confirm hearing "Catitsu" and the sound and fixation when you install it. When it is not possible to fix when other headrests are installed by mistake, and it collides, it is likely to injure.

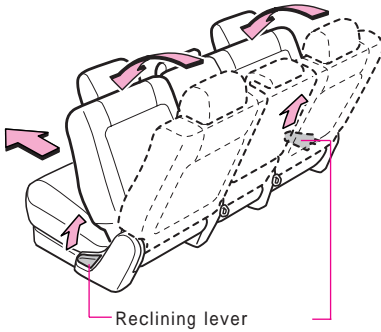
● Getting on going down to third seat

- When getting on

- 1 Place Secandoshetobelt between the clip.

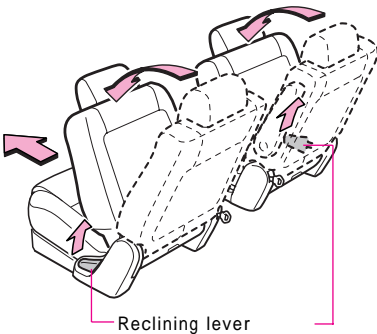


Seven person getting on car



- 2 Move the seat forward.
The drip falls forward, and when the reclining lever is improved, the seat can be moved in the back forward.

Six person getting on car

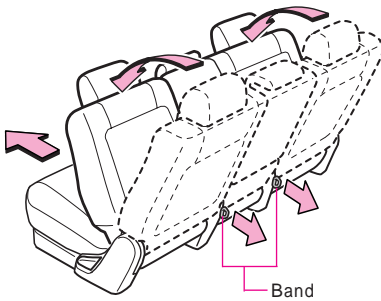


- When you descend

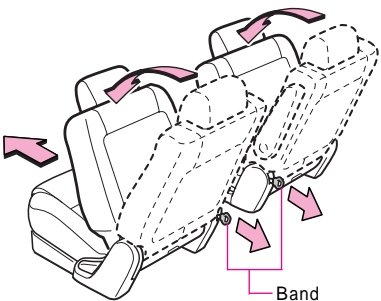
- 1 Place Secandoshetobelt between the clip.
Refer to last page.

- 2 Move the seat forward.
The drip falls forward, and when the band on the part of seat is pulled, the seat can be moved in the back forward.

Seven person getting on car



Six person getting on car



Contents



Warning

Basic
controls, operationDriving
Handling
deviceThe
Handling indoor
equipmentGood. Safety
of
To
theory, controls
and
equipmentHow
to
attention
associate, driving,
car

Maintenance

Myriad
One(D)C
with

Index

- After it gets on and it descends

- 1 The back also causes the drip.
Cause it to the position in which the drip is fixed as for the back.
- 2 Move the seat backward, and fix.
Fix depressing the seat backward until "Catitsu" and the sound are heard.
- 3 Confirm fixation.
Confirm the light shake also of the back of the drip, and fixation surely.
- 4 Remove the seat belt from the clip.
Remove the seat belt from the clip when you get on Secandoshet after it gets on the third seat and it descends.



Let me be sure to fix Secandoshet after it gets on the third seat and it descends.

- Let me be sure to fix Secandoshet after it gets on the third seat and it descends. The important injury related to the life by the movement of the seat when time that slammed on the brakes and colliding if it is not made to fix, and the hit to the crew, etc. might be received and it is dangerous. -

Remove Secandoshetobelt from the clip when you get on Secandoshet after it gets on the third seat and it descends. Important injury that doesn't demonstrate the effect with an enough seat belt when colliding when the seat belt is installed with the seat belt placed between the clip, and is related to the life might be received and it is dangerous.



The back also must operate the hand in the drip when the back also returns the drip and operate the reclining lever along can.

- The back also must operate the hand in the drip when the back also returns the drip and operate the reclining lever along can.

When the back doesn't suppress the drip and either the lever is operated, the back returns suddenly the drip, and might be injured, too. -

When you move the seat, put neither hand nor the foot under the seat. It is placed between the seat and it is likely to injure.

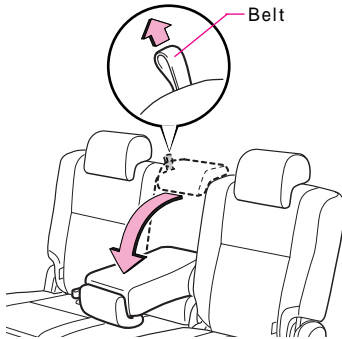


Knowledge

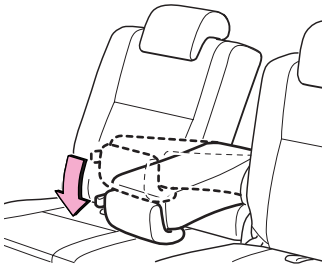
About a convenient function

Armrest

Seven person getting on car



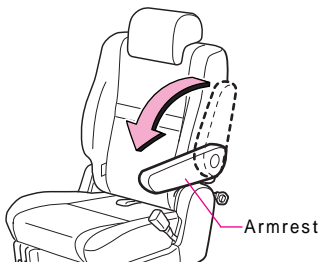
It is possible to use it as an armrest by pulling the belt of a central seat and knocking it down forward.



When the drip is made to be Flicrainigned to a right back of the seat (When knocking it down the full rear side), it is possible to knock it down to the horizontal position by pulling the belt again.

- Confirm the light shake of the seat and fixation surely when you return it based on a central seat.

Six person getting on car



Knock down to the under and use the armrest.

Contents



Warning

Basic
contents, operationDriving
Handling
deviceThe
Handling indoor
equipmentGood, Safety
of
To
theory, practice
and
equipmentHow
to
attention
associate, aiming
car

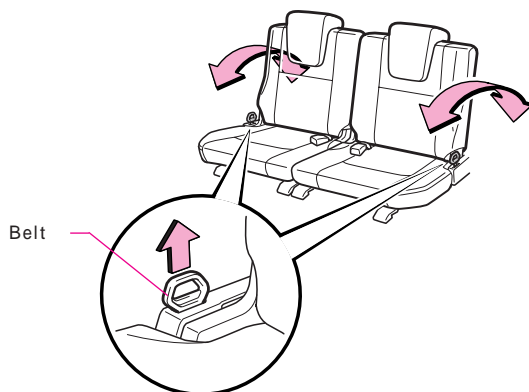
Maintenance

Myriad
One(D)C
m

Index

Adjustment of third seat

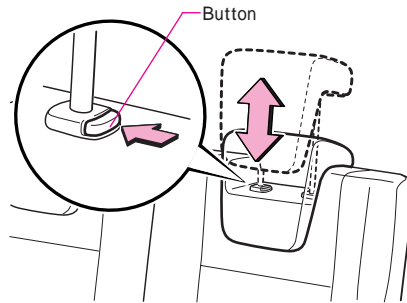
● Method of reclining adjustment



The back also must move the drip back and forth with the belt pulled and adjust it.



● Raising and lowering of headrest



- Improve it as it is when you raise it. -
- Depress the button when you lower while pushed. -
- Pull it out when detaching it with the button pushed.

**警告**

Do not run like the state to lower the headrest while removed. A big impact joins the neck when colliding, the important injury related to the life might be received, and it is dangerous. Use the headrest while raised without fail.

**注意**

The headrest is only for the third seat. Confirm hearing "Catitsu" and the sound and fixation when you install it. When it is not possible to fix when other headrests are installed by mistake, and it collides, it is likely to injure.